

CNC-STM42C3

CNC車床 CNC LATHE

Honest! Quality! Services!
Shye Toven, you can trust!

操控面板

PCB控制迴路品質穩定，維修容易，操作介面簡易清晰，堅固耐用。

CNC Controller

PC board controller is special design user friendly, stability, and easy maintenance.



伺服驅動式刀塔

此高速自動車床是採用高速度之伺服馬達，定位精度精準，運作平穩安穩。刀塔可正、逆方向旋轉，方便就近換刀，換刀快速僅需0.1~0.3秒。

Servo Driven Turret

Fitted the powerful servo driven turret with high speed and accuracy. The turret speed is freely adjusted, and fast from 0.1-second to 0.3-second turret tool change time (T-T) to servo driven turret.



高性能生產系統，機械手臂有保護成品之效

利用固定順序控制及機械手臂的搭配運用，使自動送料及投料能整體配合，自動成品輸送功能可保護成品。

Robot Arm Protect Finished Parts

The robot arm is design easily to unloading the finished work piece after the operation. Plus the belt type automatic transfer can protect finish parts from damage during the transfer.



Shye Toven is fully committed our customers with honor and precision products to satisfy all your needs in CNC Lathe.

Please visit website www.machinesources.com and key in the video serial number **EA05506** to watch the product running in actual production environment.

請上網 www.machinesources.com 再輸入影片編號 **EA05506** 即可線上瀏覽產品動態影片

標準配備

- 標準型刀架
- 機械手臂
- 成品輸送機

選購配備

- 單棒材送料機
- 棒材自動送料機
- 油霧回收器
- 深孔鑽高壓冷卻裝置
- 切屑輸送機

Standard Accessories

- Standard tools
- Robot arm
- Finished parts conveyor

Optional Accessories

- Single bar feeder
- Auto bar feeder
- Coolant mist collector
- High-pressure coolant system
- Chip conveyor



特別附件：鏈板式輸送機
Optional Accessories: Steelbelt Chip Conveyor

規格 Specifications

| | | |
|---------------------------------------|--------------|------------|
| 系列 Series | CNC-STM42C3 | |
| NC 控制器 NC controller | Fanuc | Mitsubishi |
| 加工能力 Capacity | | |
| 最大加工直徑 Max. processing diameter | ø42 mm | |
| 最大加工長度 / 夾頭 Max. turning length/chuck | 150 / 175 mm | |

主軸 Spindle

| | |
|-------------------------------|-----------------------------|
| 主軸鼻端 Spindle nose | 特殊平面 Special flat |
| 棒材容徑 ID of chuck closing tube | ø8 ~ 42 mm |
| 主軸轉速 Spindle speed | 170~8000 rpm |
| 主軸馬達 cont./ 50% ED | VAC 3.5 / 5.5 / 7.5 / 11 kw |
| Spindle motor cont./ 50% ED | |

刀塔系統 Turret & Tooling System

| | |
|--------------------------------|-----------------------|
| 刀塔形式 Type of turret | 八角刀塔 8-station turret |
| 外徑刀桿橫切面尺寸 Tool shank size | ø20 mm |
| 最大鑽孔刀桿徑 Max. bore dia. of tool | ø25 mm |
| X軸、Z軸行程 X, Z axis slide travel | X: 100 mm, Z: 185 mm |
| 快速移動速度 Rapid traverse speed | 12 m/min. |
| 換刀速度 Turret index time | 0.1~0.3 sec. |

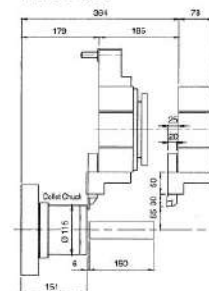
體積及重量 Machine Dimensions

| | |
|--------------|-----------------------|
| 體積 Dimension | 2200 x 1260 x 1650 mm |
| 重量 Weight | 2250 kg |

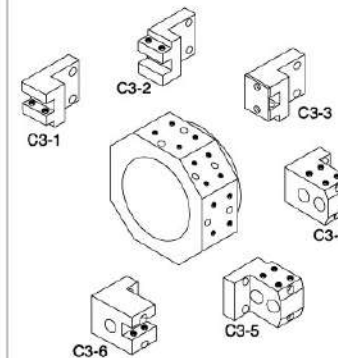
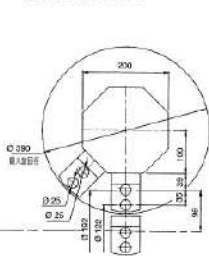
*本公司隨時進行研究改進工作，因此保有隨時更改設計、規格尺寸及機械結構之權利。
We reserve the rights to change specifications without further notice.

刀具系統 Tooling System

刀具移動量圖
Travel of tools



刀具干涉圖
Interference of tools



標準型刀架 Standard

| 型號 Model | 數量 Qty |
|----------|--------|
| C3-1 | 5 |
| C3-2 * | 1 |
| C3-3 | 1 |
| C3-4 | 3 |
| C3-5 * | 1 |
| C3-6 * | 1 |

* 訂製規格 Special Order

鉅孔筒夾 Drill Sleeve : ø8, ø10, ø12, ø16